

Study the plans carefully before you start to build. Fit and cement each joint and allow at least a half hour for cement to dry.

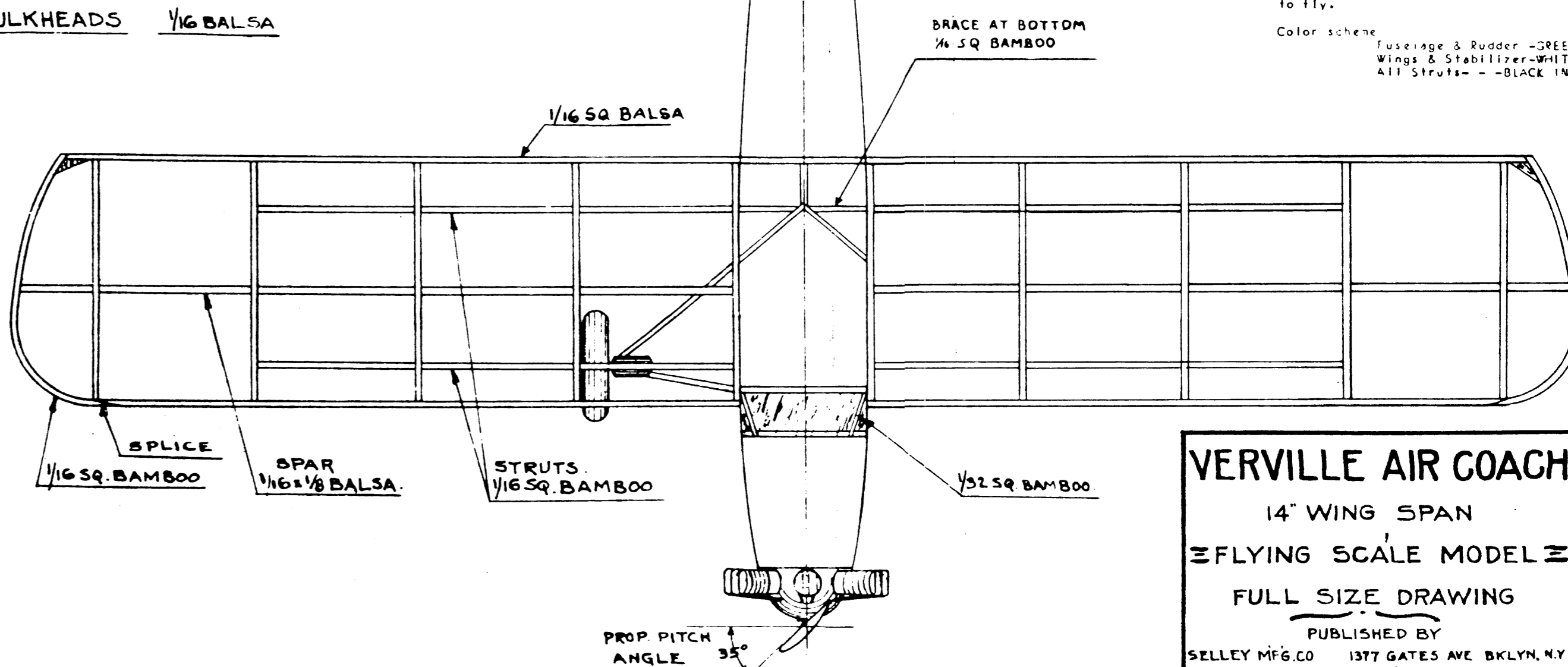
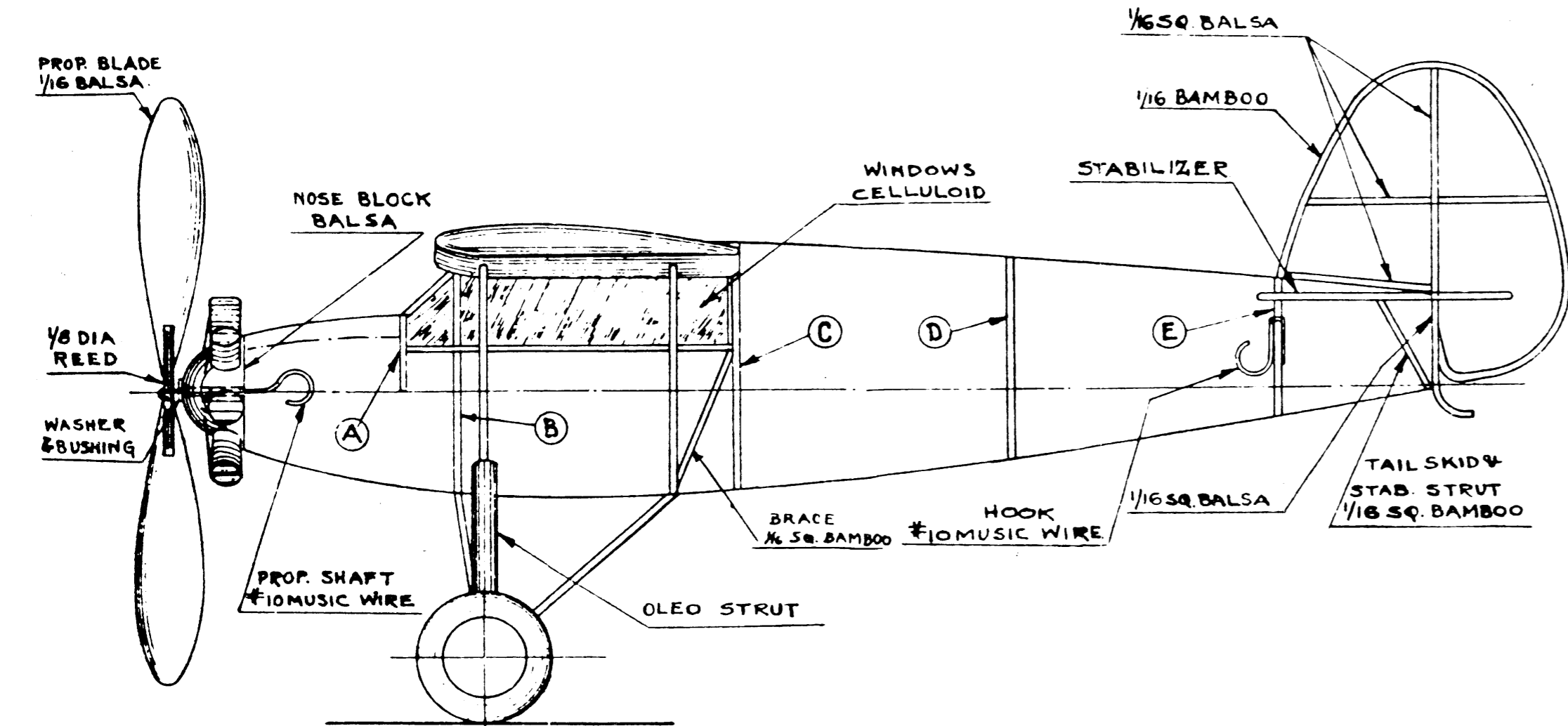
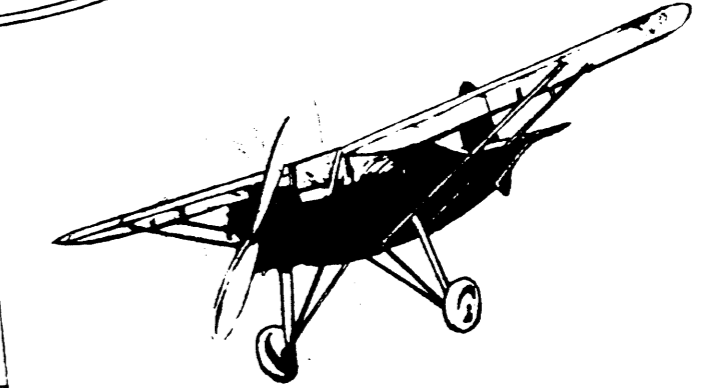
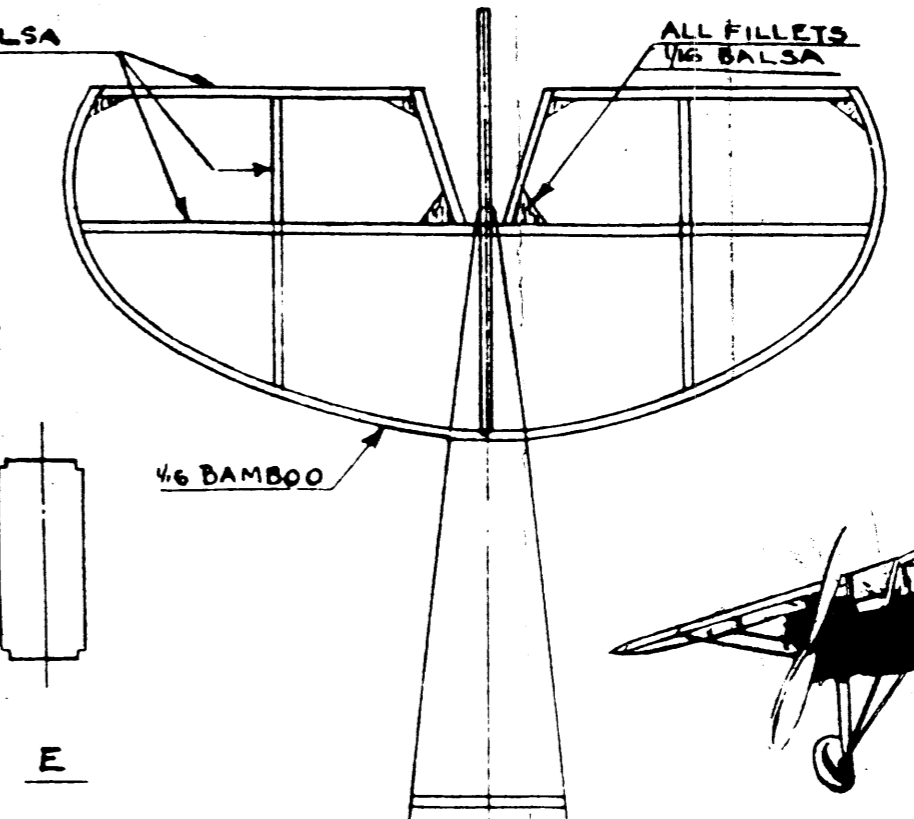
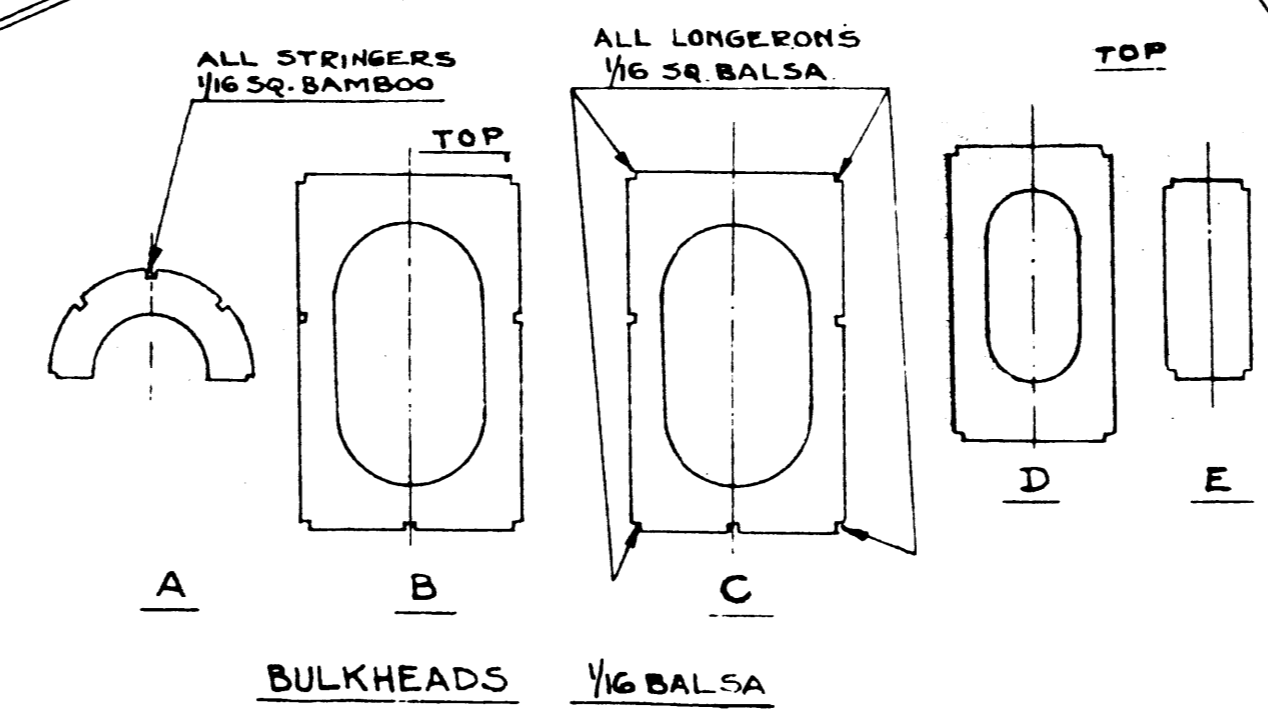
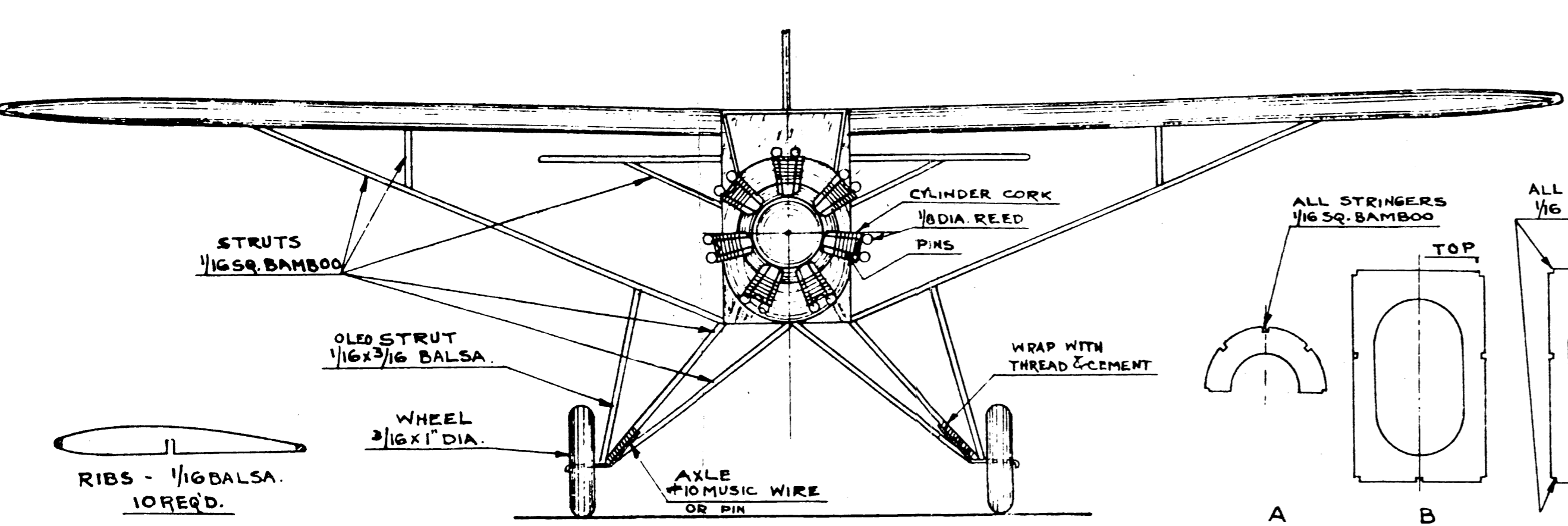
To form bamboo, hold over a candle or alcohol flame. Use razor blade for cutting out printed balsa pieces.

Carefully cut out all fuselage bulkheads from printed balsa sheet. Carefully shape balsa nose block. Cement longerons into notches in bulkheads and cement nose block to ends of the longerons. Cut stringers, cabin window braces, etc then cement in position. Cylinders are either dowels or corks cut to length and cemented into place around nose block.

Cut out printed ribs, then assemble and cement wing, rudder and stabilizer by laying parts directly on plan. Cover wings, rudder and stabilizer with colored jap paper by applying a light coat of paste to framework, then stretching paper as tightly as possible.

Now cement rudder, stabilizer & wings in position. Cut all landing gear, wing and fuselage struts to size then cement in place. Cut out and slot the propeller blades, then cement to 1/8" reed hub. Assemble propeller shaft through nose-block, loop rubber band motor between hooks and model is ready to fly.

Color scheme:  
Fuselage & Rudder - GREEN  
Wings & Stabilizer - WHITE  
All Struts - BLACK INK



**VERVILLE AIR COACH**  
14" WING SPAN  
FLYING SCALE MODEL  
FULL SIZE DRAWING  
PUBLISHED BY  
SELLEY MFG. CO 1377 GATES AVE. BKLYN. N.Y.